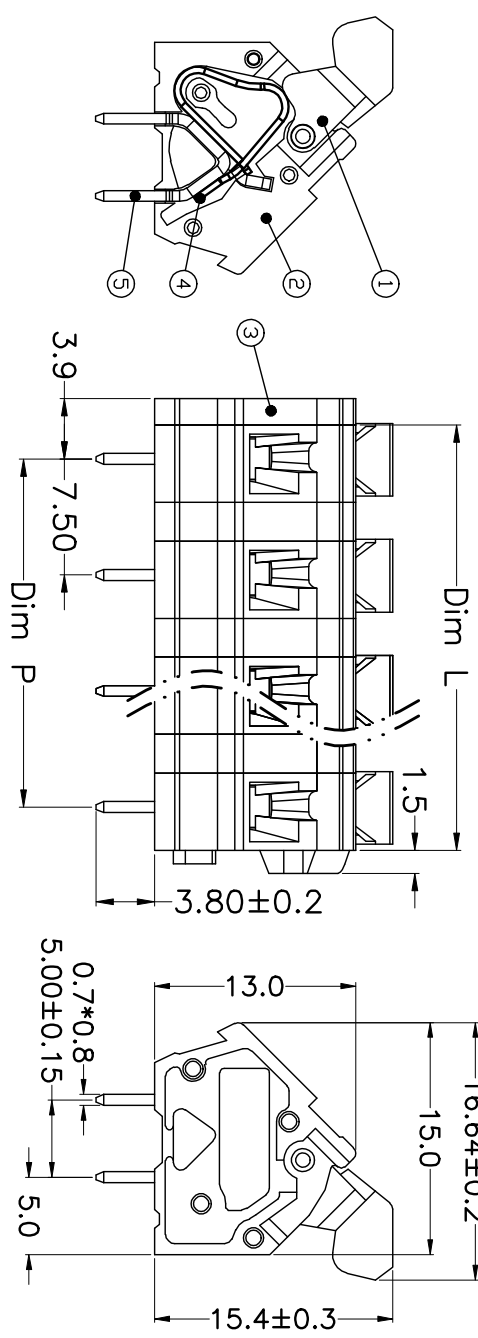
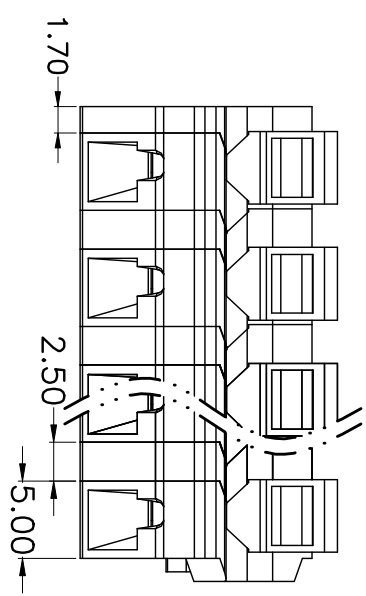
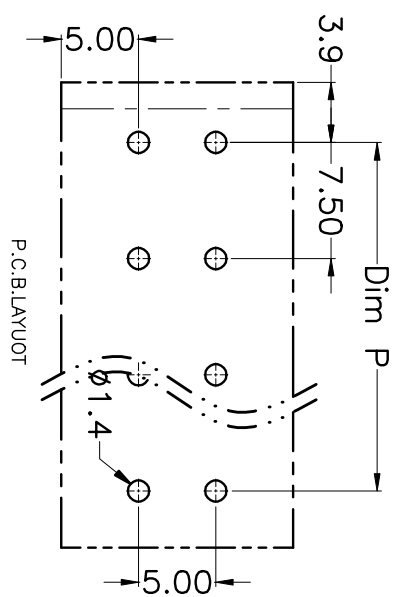


REV.	DESCRIPTION	DATE	DRAWN	APPROVED
A1	DWG.REL	2015.3.12	FANG	YANG



N=Number of Poles  
Dim P=(N-1)×7.50  
Dim L=N×7.50-2.50

Poles	Dim P	Dim L
2-6P	±0.10	±0.15
7-12P	±0.20	±0.20
13-18P	±0.25	±0.30
19-24P	±0.30	±0.40



GENERAL TOLERANCE		ANGLE TOLERANCE	
X.	±0.5	X.	±5°
.X	±0.3	.X.	±3'
.XX	±0.1	.XX.	±1'

DRAWING TYPE	CUSTOMER	SHEET	OF
SCALE	1:1	1	1

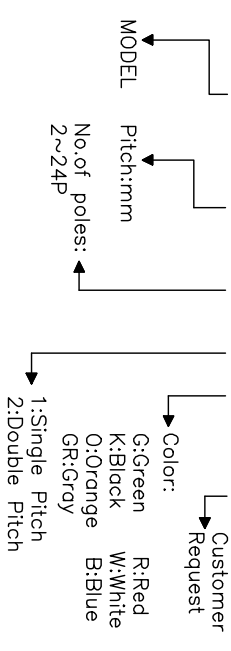
DRAWING NO.

PROJECTION	TITLE
UNITS	KF188-7.5-XXP
SHEET SIZE	mm
A4	SERIES KF188

- Material
  - ⊙Button : PA66, UL94V-0
  - ⊙Cover : PA66, UL94V-0
  - ⊙Housing : PA66, UL94V-0
  - ⊙Reed : Stainless steel
  - ⊙Pin header : Brass, Tin plated
- Electrical
  - UL IEC
  - Rated voltage : 300V 750V
  - Rated current : 15A 17A
  - Insulation resistance: 500MΩ/DC500V
  - Withstanding Voltage : AC2000V/1min
  - Wire range: 28-12AWG 2.5mm<sup>2</sup>
- Mechanical
  - Operating temperature:-40℃~+105℃
  - Soldering temperature:250℃±5/5sec
  - Strip length: 5-6mm

HOW TO ORDER

KF188-7.5-XXP-1 X-XXXXXX



科奕科技有限公司