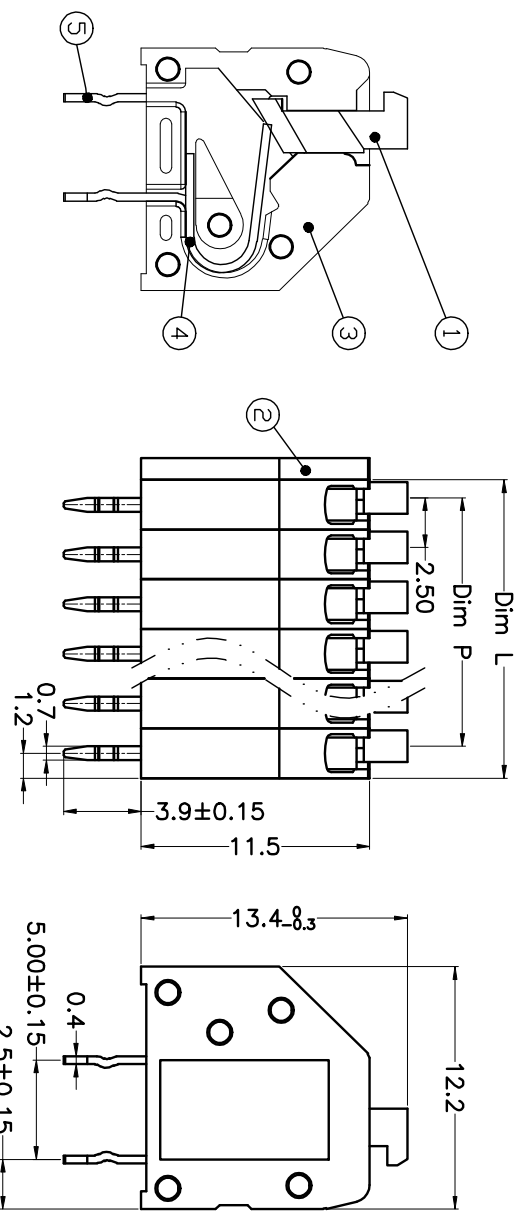
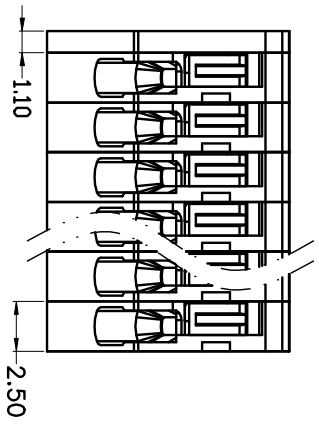
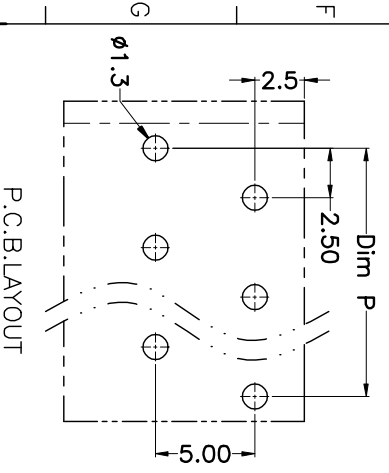


REV.	DESCRIPTION	DATE	DRAWN	APPROVED
A1	DWG.REL	2015.3.12	FANG	YANG



N=Number of Poles
Dim P=(N-1)x2.5
Dim L=Nx2.5

Poles	Dim P	Dim L
2-6P	±0.10	±0.15
7-12P	±0.20	±0.20
13-18P	±0.25	±0.30
19-24P	±0.30	±0.40



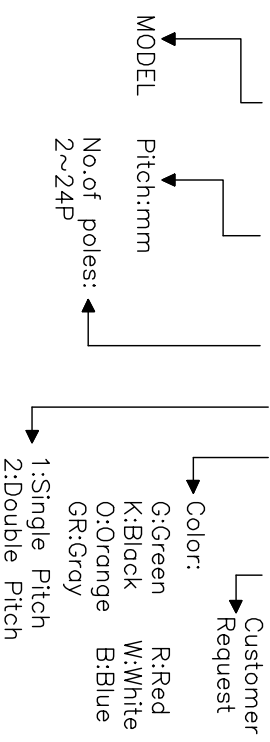
- Material
 - ⊙Button : PA66, UL94V-0
 - ⊙Cover : PA66, UL94V-0
 - ⊙Housing : PA66, UL94V-0
 - ⊙Pin header A:Phosphor bronze or Brass, Tin plated
 - ⊙Pin header B :Phosphor bronze or Brass, Tin plated

- Electrical UL IEC
 - Rated voltage : 300V 250V
 - Rated current : 7A 6A
 - Insulation resistance: 500MΩ/DC500V
 - Withstanding Voltage : AC2000V/1min
 - Wire range: 24-18AWG 0.5mm²

- Mechanical
 - Operating temperature:-40°C~+105°C
 - Soldering temperature:250°C±5/5sec
 - Strip length: 8-9mm

HOW TO ORDER

KF250A-2.5-XXP-1 X-XXXXXX



GENERAL TOLERANCE	ANGLE TOLERANCE
X. ±0.5	X. ±5'
.X ±0.3	.X. ±3'
.XX ±0.1	.XX' ±1'

PROJECTION	TITLE
UNITS mm	KF250A-2.5-XXP
SHEET SIZE A4	SERIES KF250A

DRAWING TYPE	CUSTOMER
SCALE 1:1	SHEET 1 OF 1
DRAWING NO.	

科奕科技有限公司