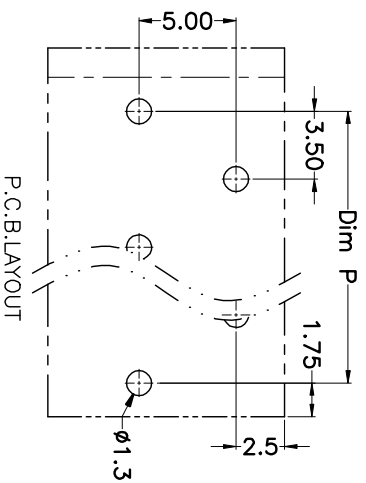
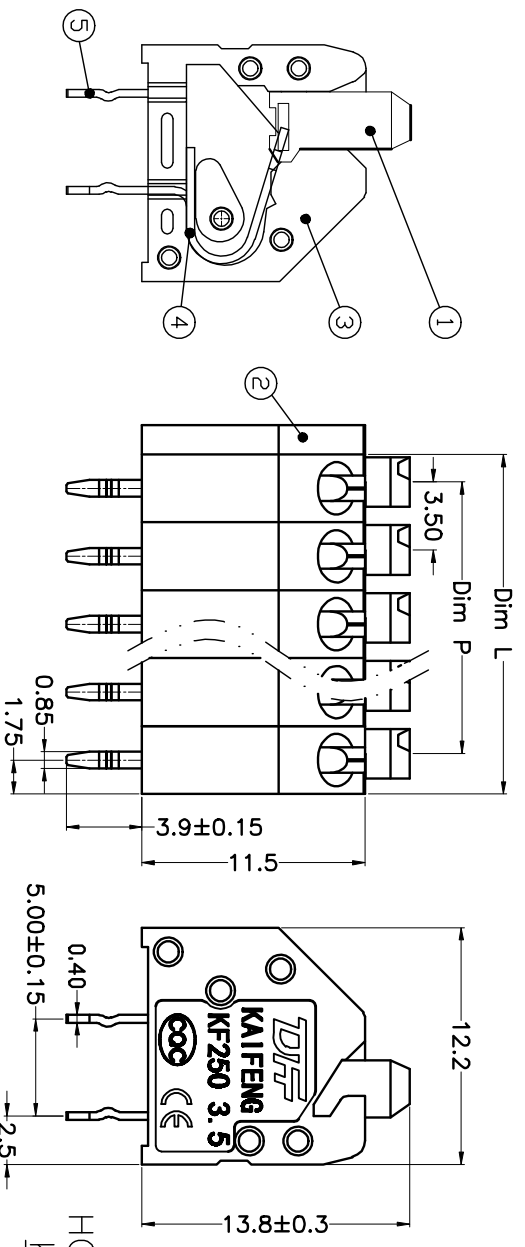
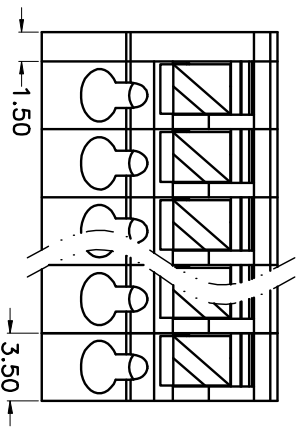


REV.	DESCRIPTION	DATE	DRAWN	APPROVED
A1	DWG.REL	2015.3.12	FANG	YANG



N=Number of Poles  
Dim P=(N-1)x3.5  
Dim L=Nx3.5

Poles/Dim	Dim P	Dim L
2-6P	±0.10	±0.15
7-12P	±0.20	±0.20
13-18P	±0.25	±0.30
19-24P	±0.30	±0.40

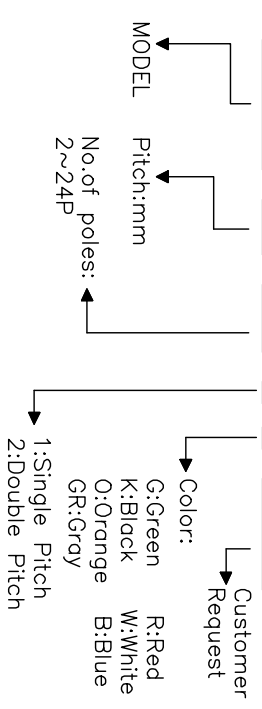
- Material
  - ⊙Button : PA66, UL94V-0
  - ⊙Cover : PA66, UL94V-0
  - ⊙Housing : PA66, UL94V-0
  - ⊙Pin header A:Phosphor bronze or Brass, Tin plated
  - ⊙Pin header B :Phosphor bronze or Brass, Tin plated

- Electrical UL IEC
  - Rated voltage : 300V 450V
  - Rated current : 7A 9A
  - Insulation resistance: 500MΩ/DC500V
  - Withstanding Voltage : AC2000V/1min
  - Wire range: 24-18AWG 0.5mm<sup>2</sup>

- Mechanical
  - Operating temperature: -40°C~+105°C
  - Soldering temperature:250°C±5/5sec
  - Strip length: 8-9mm

HOW TO ORDER

KF250A-3.5-XXP-1 X-XXXXXX



GENERAL TOLERANCE ANGLE TOLERANCE

X.	±0.5	X.	±5°
.X	±0.3	.X'	±3'
.XX	±0.1	.XX'	±1'

DRAWING TYPE	CUSTOMER	SHEET	1 OF 1
SCALE	1:1		
DRAWING NO.			

PROJECTION	TITLE
UNITS	KF250A-3.5-XXP
SHEET SIZE	A4
SERIES	KF250A

科奕科技有限公司