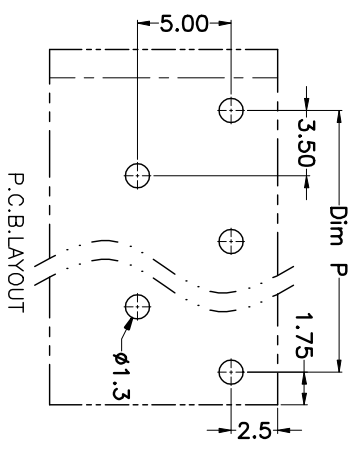
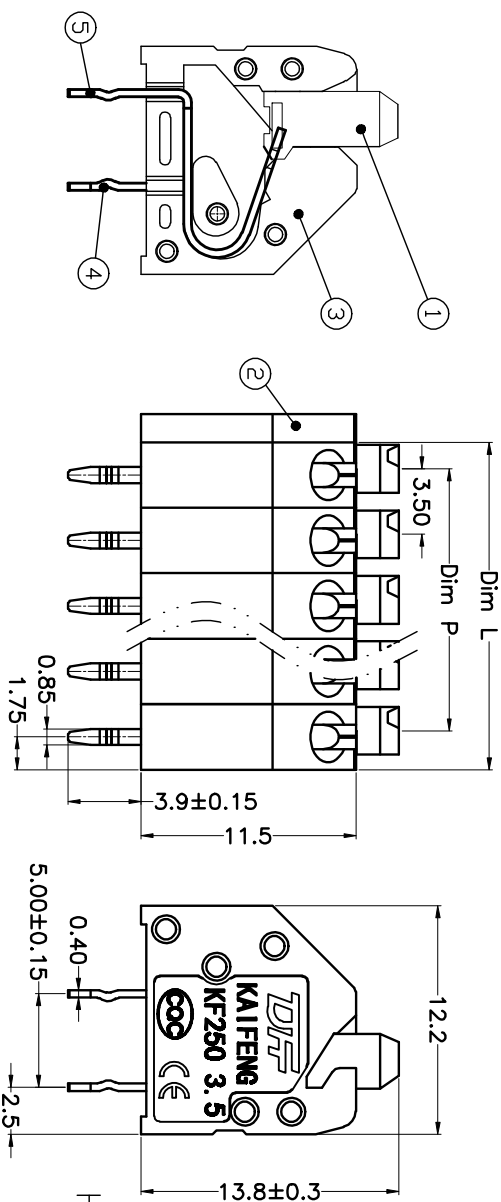
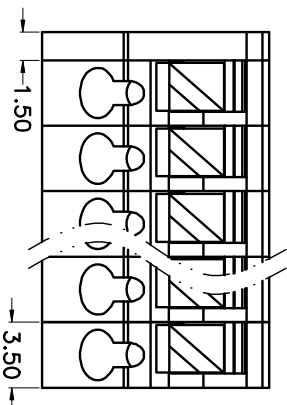


REV.	DESCRIPTION	DATE	DRAWN	APPROVED
A1	DWG.REL	2015.3.12	FANG	YANG



N=Number of Poles
Dim P=(N-1)×3.5
Dim L=N×3.5

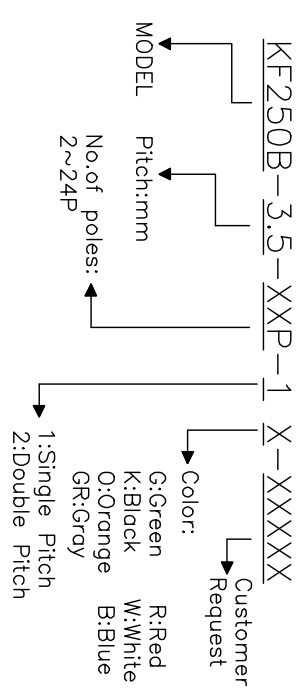
Poles	Dim P	Dim L
2-6P	±0.10	±0.15
7-12P	±0.20	±0.20
13-18P	±0.25	±0.30
19-24P	±0.30	±0.40

- Material
 - ①Button : PA66, UL94V-0
 - ②Cover : PA66, UL94V-0
 - ③Housing : PA66, UL94V-0
 - ④Pin header A:Phosphor bronze or Brass, Tin plated
 - ⑤Pin header B :Phosphor bronze or Brass, Tin plated

- Electrical UL IEC
 - Rated voltage : 300V 450V
 - Rated current : 7A 9A
 - Insulation resistance: 500MΩ/DC500V
 - Withstanding Voltage : AC2000V/1min
 - Wire range: 24-18AWG 0.5mm²

- Mechanical
 - Operating temperature:-40℃~+105℃
 - Soldering temperature:250℃±5/5sec
 - Strip length: 8-9mm

HOW TO ORDER



GENERAL TOLERANCE	ANGLE TOLERANCE
X: ±0.5	X: ±5°
.X: ±0.3	.X: ±3°
.XX: ±0.1	.XX: ±1°

DRAWING TYPE	CUSTOMER
SCALE	1:1
DRAWING NO.	SHEET 1 OF 1

PROJECTION	TITLE
UNITS	KF250B-3.5-XXP
SHEET SIZE	A4
SERIES	KF250B

科奕科技有限公司