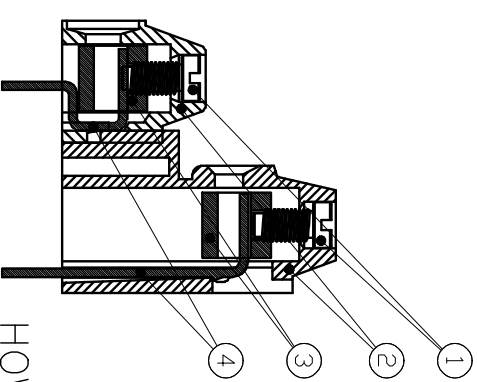
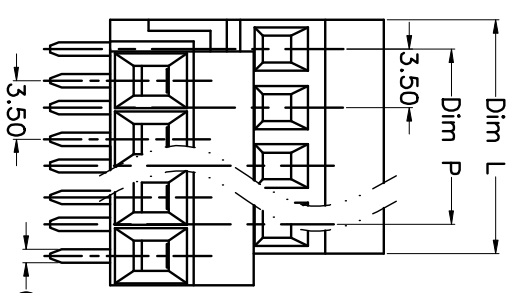
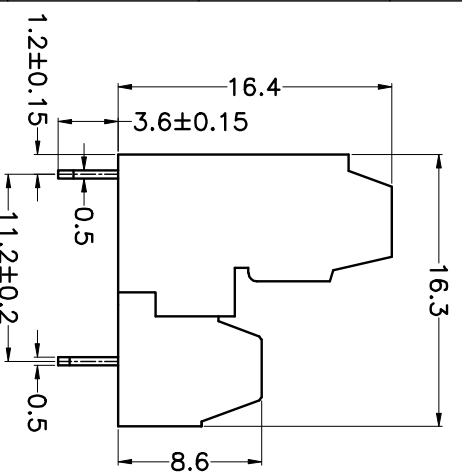
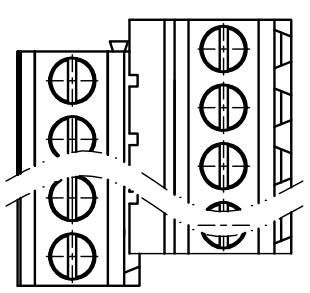


REV.	DESCRIPTION	DATE	DRAWN	APPROVED
A1	DWG.REL	2015.3.12	FANG	YANG



- Material
- Screws : M2.0 steel, Zinc plated, “—” slot type
- Housing : PA66, UL94V-0
- Clamp : Brass, Ni plated
- Pin header : Brass, Tin plated

- Electrical UL IEC
- Rated voltage : 150V 130V
- Rated current : 10A 10A
- Insulation resistance: 500MΩ/DC500V
- Withstanding Voltage : AC1500V/1min
- Wire range: 24-16AWG 1.5mm²

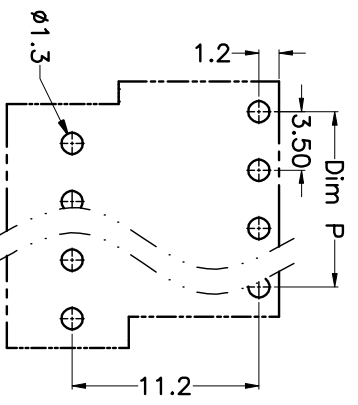
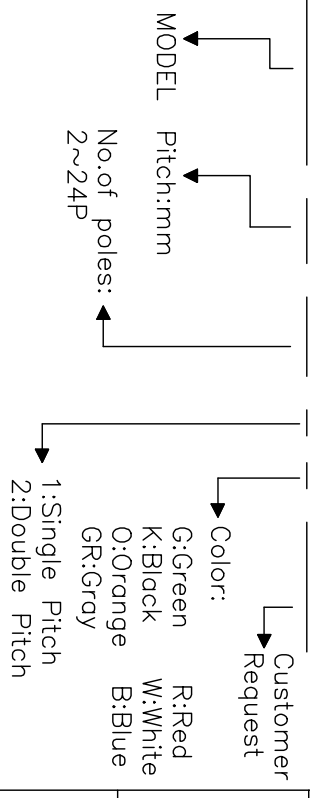
- Mechanical
- Operating temperature: -40°C ~ +105°C
- Soldering temperature: 250°C ±5/5sec
- Torque: 0.2N.m (1.77Lb.in)
- Strip length: 4-5mm

HOW TO ORDER

KF124DGA-3.5-XXP-2 X-XXXXX

N=Number of Poles
Dim P=(N-1)x3.50
Dim L=Nx3.50

Poles	Dim P	Dim L
2-6P	±0.10	±0.15
7-12P	±0.20	±0.20
13-18P	±0.25	±0.30
19-24P	±0.30	±0.40



GENERAL TOLERANCE ANGLE TOLERANCE

X.	±0.5	X.	±5'
.X	±0.3	.X.	±3'
.XX	±0.1	.XX.	±1'

PROJECTION UNITS

mm	A4
----	----

TITLE KF124DGA-3.5-XXP

SHEET SIZE A4 SERIES KF124DGA

DRAWING TYPE	CUSTOMER	SHEET	1 OF 1
SCALE	1:1		
DRAWING NO.			

科奕科技有限公司