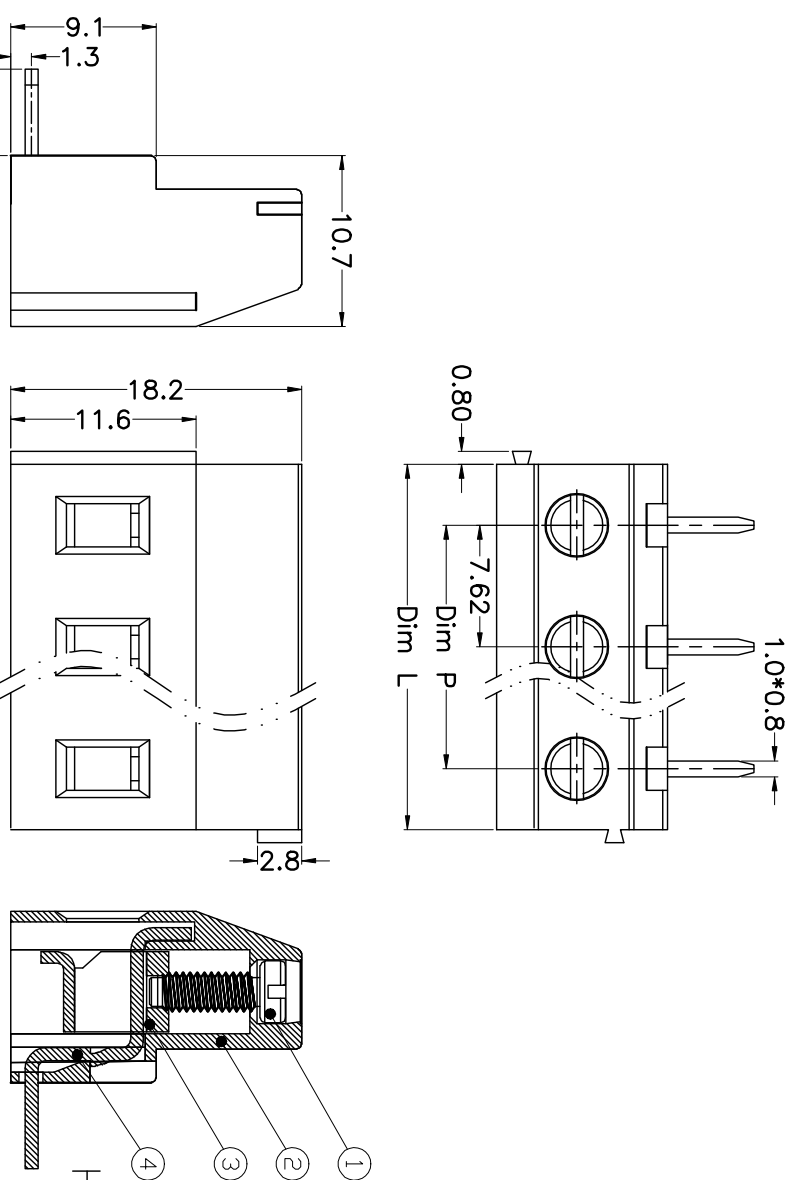


REV.	DESCRIPTION	DATE	DRAWN	APPROVED
A1	DWG.REL	2015.3.12	FANG	YANG

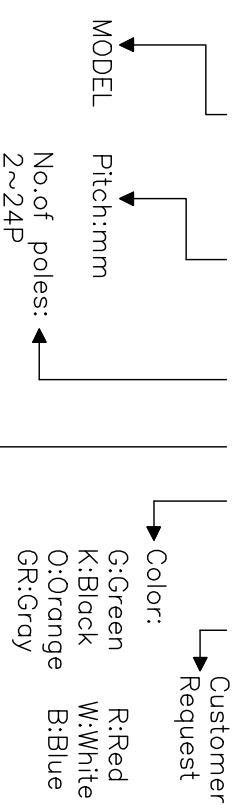
- Material
 - ⊙Screws : M3.0 steel, Zinc plated,
 - “—” slot type
 - ⊙Housing : PA66, UL94V-0
 - ⊙Clamp : Steel, Zinc plated
 - ⊙Pin header : Brass, Tin plated
- Electrical

UL	IEC
Rated voltage : 300V	450V
Rated current : 20A	20A
Insulation resistance: 500MΩ/DC500V	
Withstanding Voltage : AC2500V/1min	
Wire range: 24—12AWG	4.0mm ²
- Mechanical
 - Operating temperature: -40°C⁺105°C
 - Soldering temperature: 250°C±5/5sec
 - Torque: 0.5N.m (4.43lb.in)
 - Strip length: 6—7mm



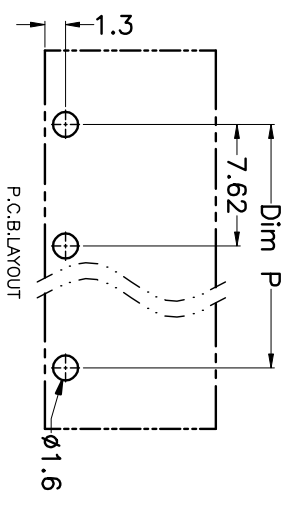
HOW TO ORDER

KFI29R-7.62-XXP-1 X-XXXXX



N=Number of Poles
Dim P=(N-1)x7.62
Dim L=Nx7.62

Poles	Dim P	Dim L
2-6P	±0.10	±0.15
7-12P	±0.20	±0.20
13-18P	±0.25	±0.30
19-24P	±0.30	±0.40



GENERAL TOLERANCE ANGLE TOLERANCE

X.	±0.5	X.	±5'
X	±0.3	X'	±3'
.XX	±0.1	.XX'	±1'

DRAWING TYPE	CUSTOMER	SHEET	1 OF 1
SCALE	1:1		
DRAWING NO.			

PROJECTION	TITLE
UNITS	KFI29R-7.62-XXP
SHEET SIZE	A4
SERIES	KFI29R

科奕科技有限公司