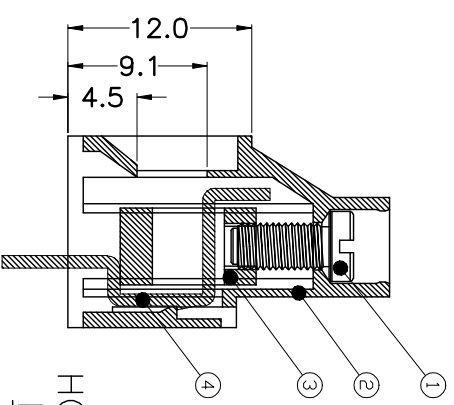
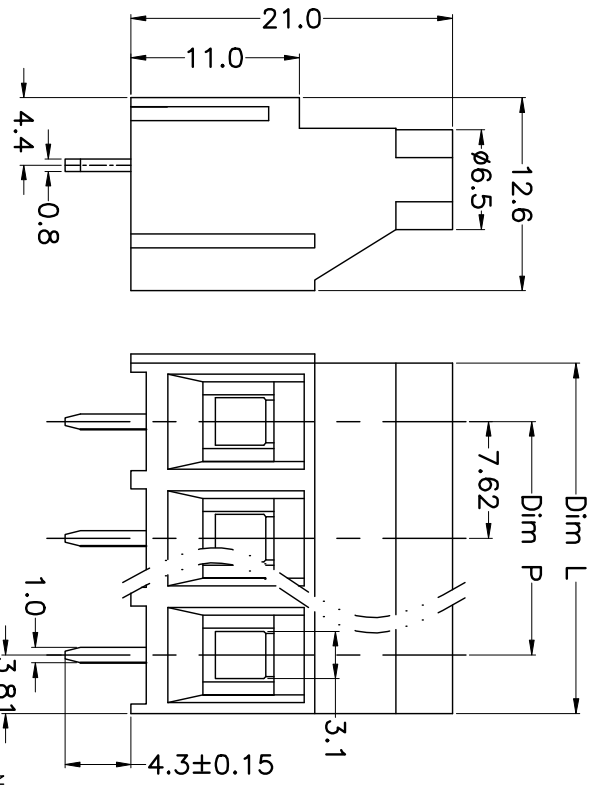
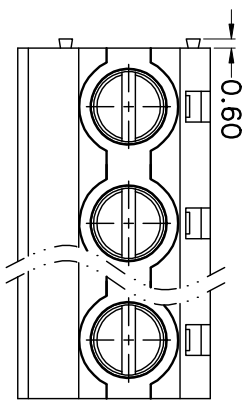


REV.	DESCRIPTION	DATE	DRAWN	APPROVED
A1	DWG.REL	2015.3.12	FANG	YANG



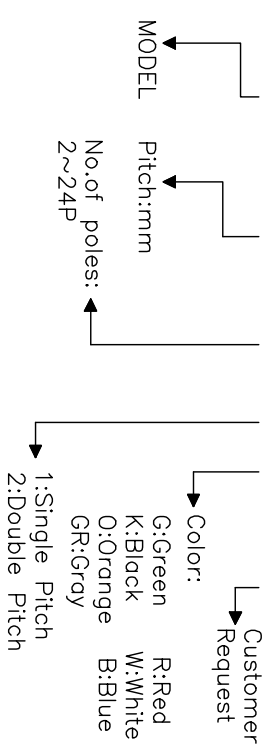
- Material
 - ØScrews : M3.0 steel, Zinc plated,
 - “-” slot type
 - ØHousing : PA66, UL94V-0
 - ØClamp : Brass, Ni plated
 - ØPin header : Brass, Tin plated

- Electrical
 - UL IEC
 - Rated voltage : 300V 750V
 - Rated current : 30A 41A
 - Insulation resistance: 500MΩ/DC500V
 - Withstanding Voltage : AC3000V/1min
 - Wire range: 26-10AWG 6.0mm²

- Mechanical
 - Operating temperature: -40°C to +105°C
 - Soldering temperature: 250°C ±5/5sec
 - Torque: 0.5N.m (4.43Lb.in)
 - Strip length: 6-7mm

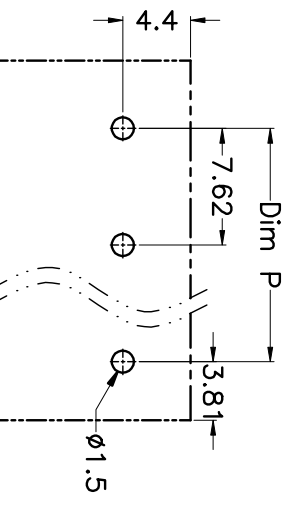
HOW TO ORDER

KF950A1-7.62-XXP-1 X-XXXXXX



N=Number of Poles
Dim P=(N-1)×7.62
Dim L=N×7.62

Poles	Dim P	Dim L
2-6P	±0.10	±0.15
7-12P	±0.20	±0.20
13-18P	±0.25	±0.30
19-24P	±0.30	±0.40



GENERAL TOLERANCE ANGLE TOLERANCE

X.	±0.5	X.	±5°
.X	±0.3	.X	±3°
.XX	±0.1	.XX	±1°

DRAWING TYPE	CUSTOMER	SHEET	OF
SCALE	1:1	1	1
DRAWING NO.			

PROJECTION	TITLE
UNITS	KF950A1-7.62-XXP
SHEET SIZE	A4
SERIES	KF950A1

科奕科技有限公司