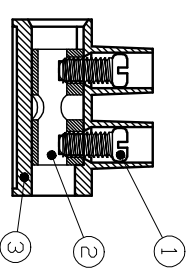
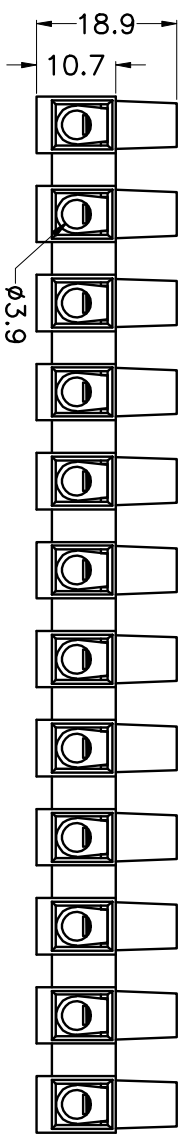
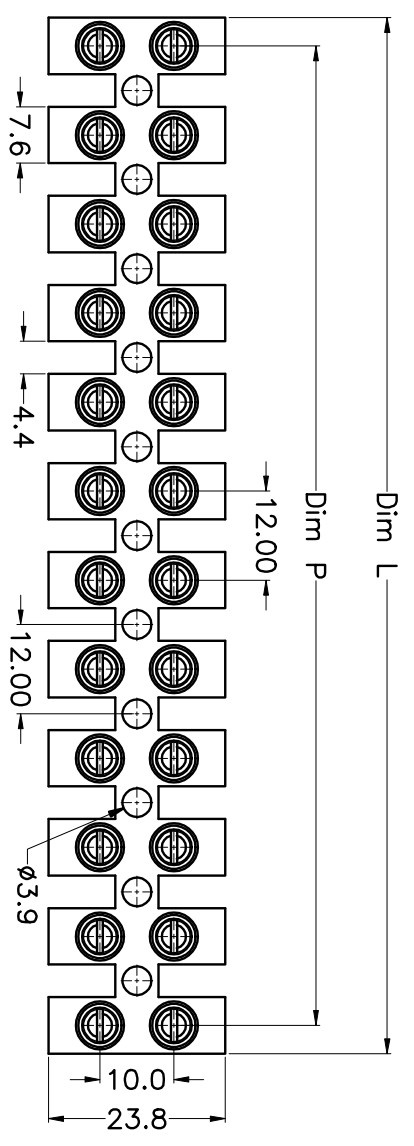


REV.	DESCRIPTION	DATE	DRAWN	APPROVED
A1	DWG.REL	2015.3.12	FANG	YANG

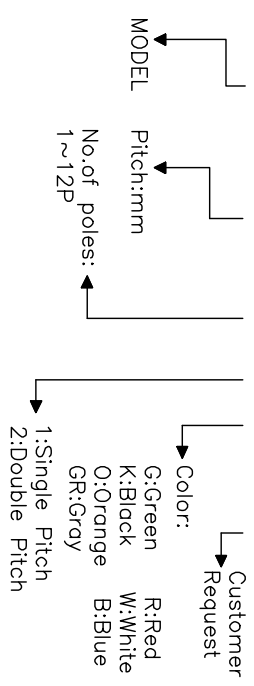


- Material
 ØScrews : M3.5 steel, Zinc plated
 ØClamp : Brass, Ni plated
 ØHousing : PA66, UL94V-2
- Electrical
 UL IEC
 Rated voltage : 600V 500V
 Rated current : 30A 57A
 Wire range: 16-8AWG 1.5~10.0mm²
- Mechanical
 Operating temperature: -40°C ~ +110°C
 Soldering temperature: 250°C ±5/5sec
 Torque: 0.8N.m (7.02Lb.in)

Poles	1P	2P	3P	4P	5P	6P	7P	8P	9P	10P	11P	12P
Dim P	0	12.00	24.00	36.00	48.00	60.00	72.00	84.00	96.00	108.00	120.00	132.00
Dim L	7.60	19.60	31.60	43.60	55.60	67.60	79.60	91.60	103.60	115.60	127.60	139.60
Tol.												±0.20

HOW TO ORDER

KF12H-12.0-XXP-1 X-XXXXX



GENERAL TOLERANCE		ANGLE TOLERANCE		PROJECTION		TITLE	
X.	±0.5	X.	±5'	UNIT	mm	SHEET	KF12H-12.0-XXP
.X	±0.3	.X.	±3'	SHEET SIZE	A4	SERIES	KF12H
.XX	±0.1	.XX.	±1'	SCALE	1:1		
DRAWING TYPE CUSTOMER				DRAWING NO.			
SCALE		SHEET		1 OF 1			

科奕科技有限公司