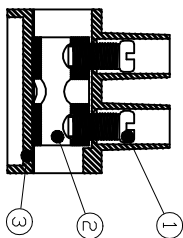
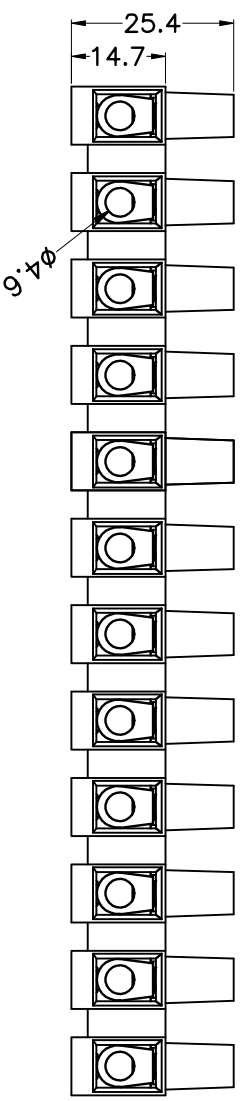
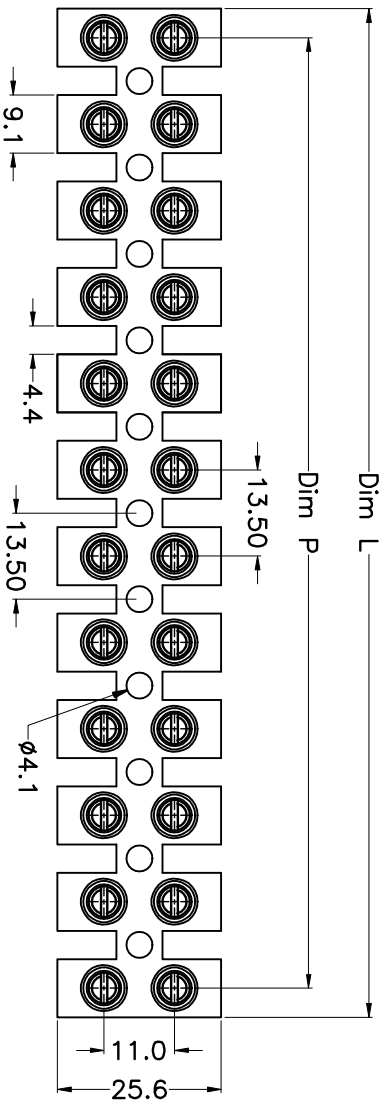


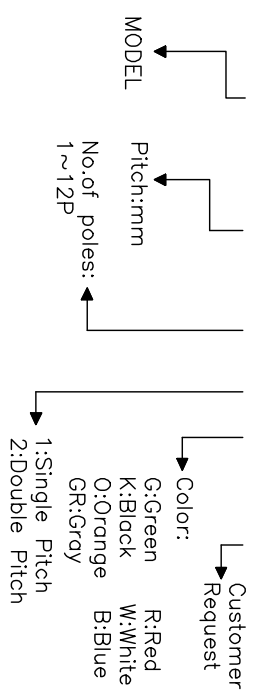
REV.	DESCRIPTION	DATE	DRAWN	APPROVED
A1	DWG.REL	2015.3.12	FANG	YANG

- Material
 ØScrews : M3.5 steel, Zinc plated
 ØClamp : Brass, Ni plated
 ØHousing : PA66, UL94V-2
- Electrical
 UL IEC
 Rated voltage : 600V 750V
 Rated current : 50A 76A
 Wire range: 14-6AWG 16.0mm²
- Mechanical
 Operating temperature:-40℃~+110℃
 Soldering temperature:250℃±5/5sec
 Torque: 1.2N.m (10.53Lb.in)



Poles	1P	2P	3P	4P	5P	6P	7P	8P	9P	10P	11P	12P
Dim P	0	13.50	27.00	40.50	54.00	67.50	81.00	94.50	108.00	121.50	135.00	148.50
Dim L	9.10	22.60	36.10	49.60	63.10	76.60	90.10	103.60	117.10	130.60	144.10	157.60
Tol.			±0.15							±0.20		

HOW TO ORDER
 KF14H-13.5-XXP-1 X-XXXXX



GENERAL TOLERANCE		ANGLE TOLERANCE		PROJECTION	TITLE
X.	±0.5	X.	±5'	⊕	KF14H-13.5-XXP
.X	±0.3	.X'	±3'	mm	
.XX	±0.1	.XX'	±1'	A4	SERIES KF14H
DRAWING TYPE	CUSTOMER	SHEET	1 OF 1		
SCALE	1:1				
DRAWING NO.					

科奕科技有限公司