

REV.	DESCRIPTION	DATE	DRAWN	APPROVED
A1	DWG.REL	2015.3.12	FANG	YANG

- Material
 - ⊙Button : PA66, UL94V-0
 - ⊙Screws : M3.0 steel, Zinc plated
 - ⊙Clamp 1 : Brass, Ni plated
 - ⊙Housing : PA66, UL94V-0
 - ⊙Clamp 2 : Brass, Ni plated
 - ⊙Reed : Stainless steel

- Electrical

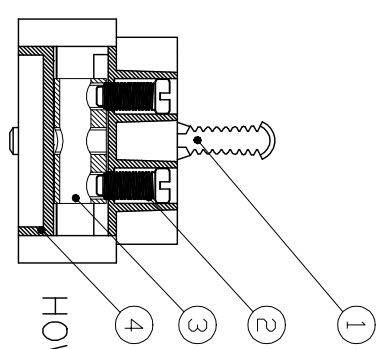
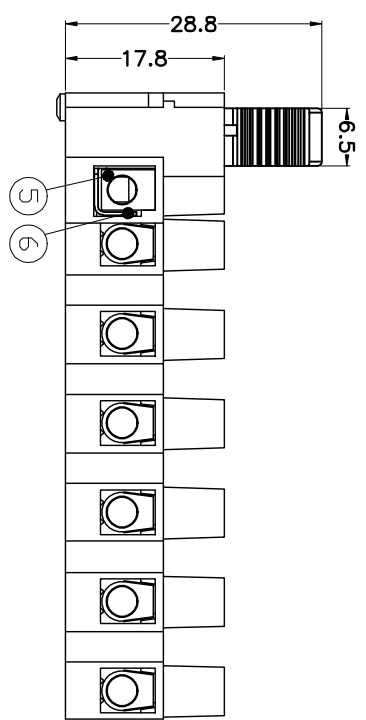
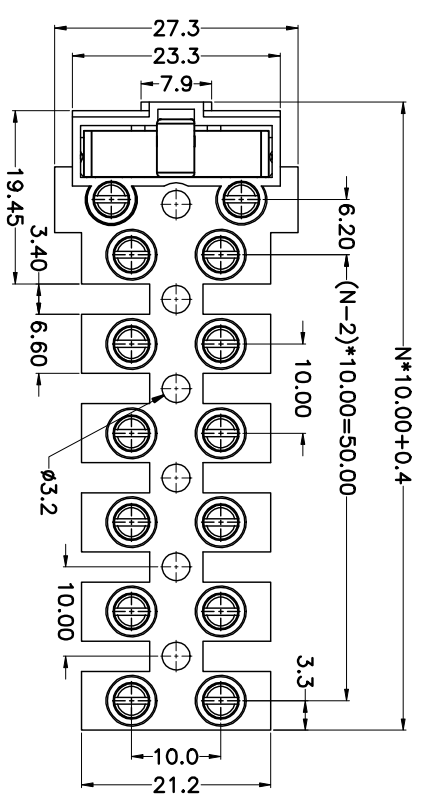
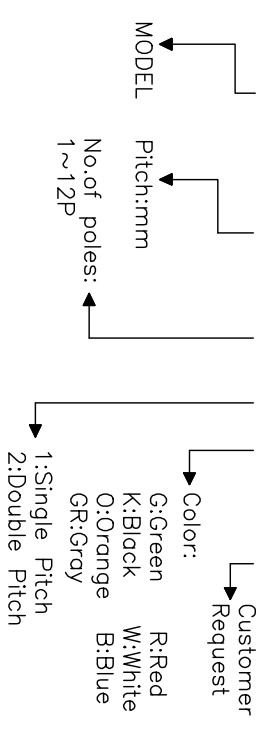
UL	IEC
Rated voltage : 300V	450V
Rated current : 10A	7.5A

Insulation resistance: 500MΩ/DC500V
 Withstanding Voltage : AC2500V/1min
 Wire range: 22-14AWG 0.5~2.5mm²

- Mechanical
 - Operating temperature: -40℃~+110℃
 - Soldering temperature: 250℃±5/5sec
 - Torque: 0.5N.m (4.43lb.in)
 - Strip length: 6-7mm

HOW TO ORDER

KF100-1-10.0-XXP-1 X-XXXXX



Poles	1P	2P	3P	4P	5P	6P	7P	8P
Dim P	0	10.00	20.00	30.00	40.00	50.00	60.00	70.00
Dim L	19.45	29.45	39.45	59.45	69.45	79.45	89.45	99.45
Tol.	±0.2							

GENERAL TOLERANCE	ANGLE TOLERANCE
X: ±0.5	X: ±5'
.X: ±0.3	.X: ±3'
.XX: ±0.1	.XX: ±1'

DRAWING TYPE	CUSTOMER
SCALE	1:1
DRAWING NO.	SHEET 1 OF 1

PROJECTION	TITLE
UNITS mm	KF100-1-10.0-XXP
SHEET SIZE A4	SERIES KF100-1

科奕科技有限公司