

| REV. | DESCRIPTION | DATE | DRAWN | APPROVED |
|------|-------------|-----------|-------|----------|
| A1 | DWG.REL | 2015.3.12 | FANG | YANG |

- Material
 - ⊙Button : PA66, UL94V-0
 - ⊙Screws : M3.0 steel, Zinc plated
 - ⊙Clamp : Brass, Ni plated
 - ⊙Reed : Stainless steel
 - ⊙Housing : PA66, UL94V-0

- Electrical

| | |
|----------------------|------|
| UL | IEC |
| Rated voltage : 300V | 450V |
| Rated current : 10A | 7.5A |

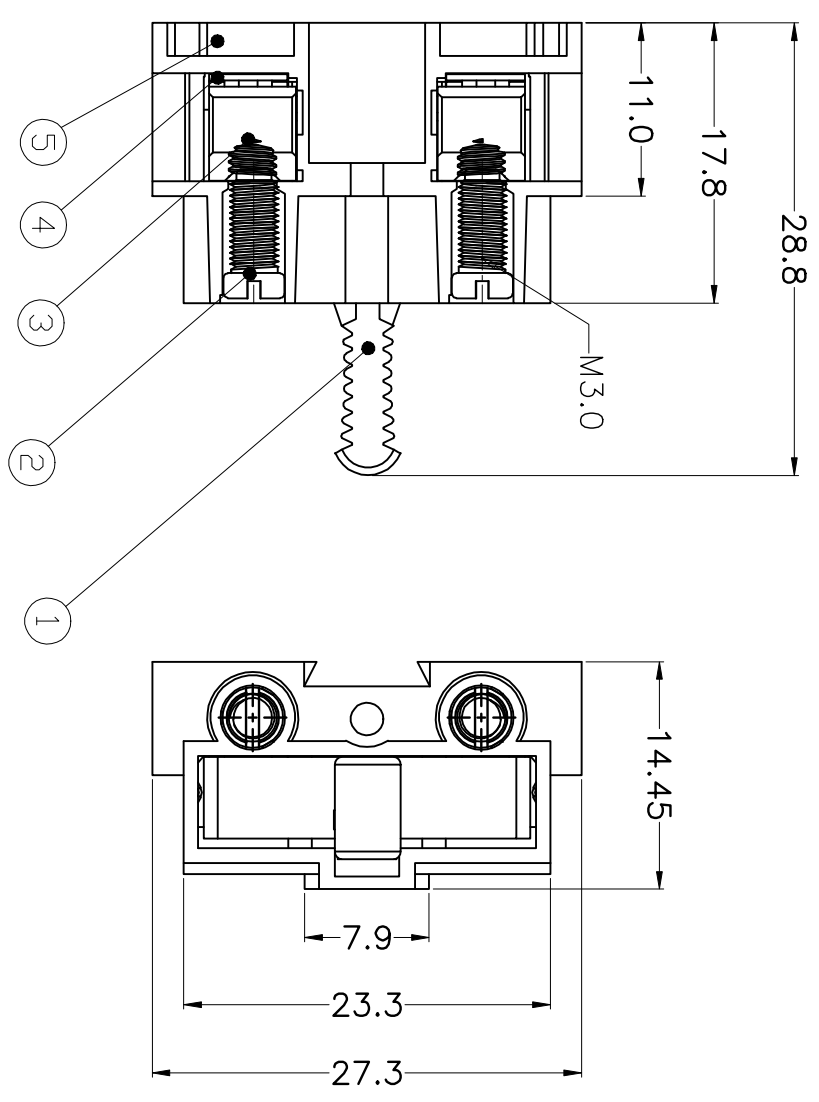
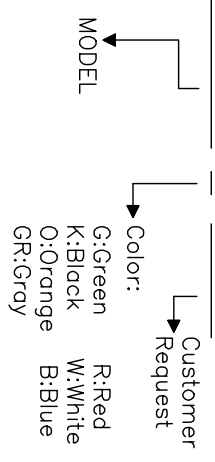
Insulation resistance: 500MΩ/DC500V
 Withstanding Voltage : AC2500V/1min
 Wire range: 22-14AWG 0.5~2.5mm²

- Mechanical

Operating temperature: -40℃~+110℃
 Soldering temperature: 250℃±5/5sec
 Torque: 0.5N.m (4.43lb.in)
 Strip length: 6-7mm

HOW TO ORDER

KF100-2 X-XXXXX



| GENERAL TOLERANCE | | ANGLE TOLERANCE | |
|-------------------|------|-----------------|-----|
| X. | ±0.5 | X. | ±5' |
| X | ±0.3 | X' | ±3' |
| .XX | ±0.1 | .XX' | ±1' |

| DRAWING TYPE | CUSTOMER |
|--------------|--------------|
| SCALE | 1:1 |
| DRAWING NO. | SHEET 1 OF 1 |

| PROJECTION | TITLE |
|------------|---------|
| UNITS | mm |
| SHEET SIZE | A4 |
| SERIES | KF100-2 |
| KF100-2 | |

科奕科技有限公司