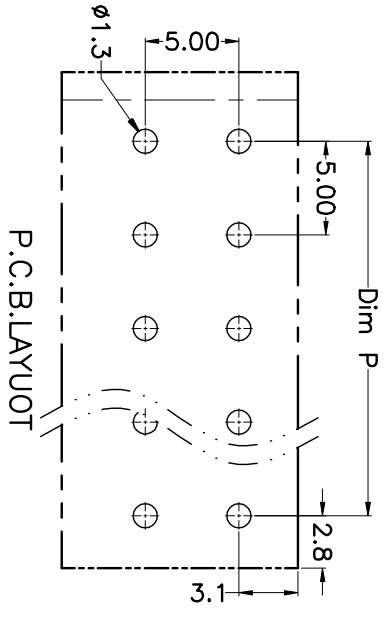
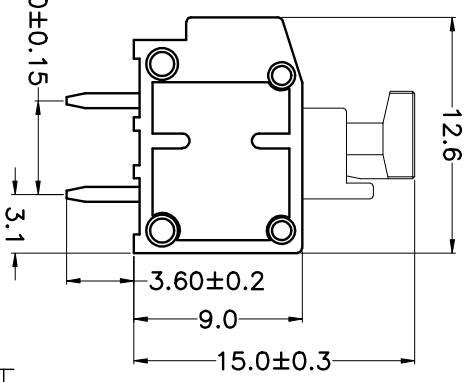
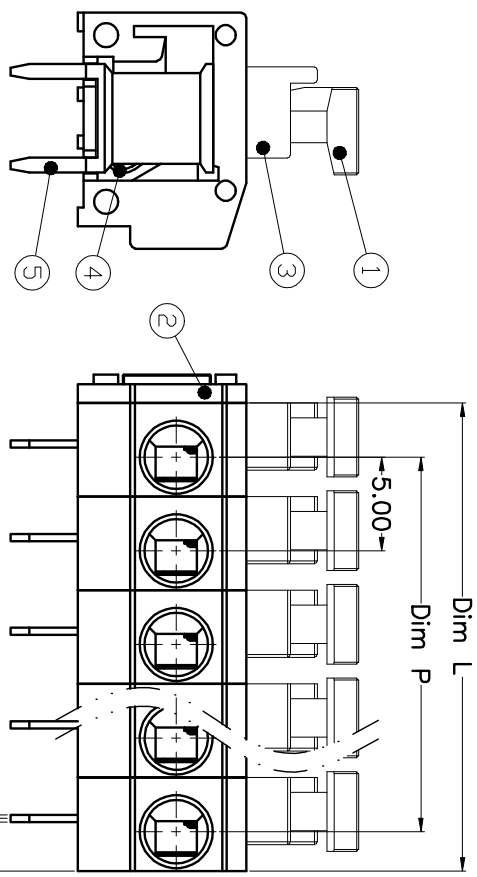
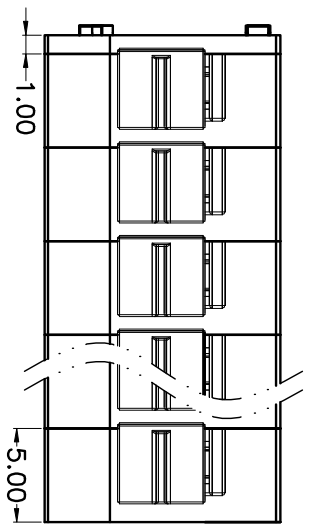


REV.	DESCRIPTION	DATE	DRAWN	APPROVED
A1	DWG.REL	2015.3.12	FANG	YANG



N=Number of Poles
 Dim P=(N-1)x5.00
 Dim L=NX5.00

Poles	Dim P	Dim L
2-6P	±0.10	±0.15
7-12P	±0.20	±0.20
13-18P	±0.25	±0.30
19-24P	±0.30	±0.40

GENERAL TOLERANCE ANGLE TOLERANCE

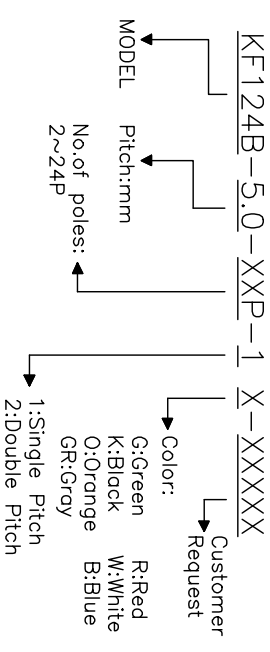
X.	±0.5	X.	±5°
X	±0.3	X'	±3°
.XX	±0.1	.XX'	±1°

DRAWING TYPE	CUSTOMER	SHEET	1 OF 1
SCALE	1:1	SHEET	1 OF 1
DRAWING NO.			

PROJECTION	TITLE
UNITS	KF124B-5.0-XXP
SHEET SIZE	mm
A4	SERIES KF124B

- Material
 @Button : PA66, UL94V-0
 @Cover : PA66, UL94V-0
 @Housing : PA66, UL94V-0
 @Reed : Stainless steel
 @Pin header : Brass, Tin plated
- Electrical UL IEC
 Rated voltage : 300V 250V
 Rated current : 5A 15A
 Insulation resistance: 500MΩ/DC500V
 Withstanding Voltage : AC2000V/1min
 Wire range: 20-18AWG 1.5mm²
- Mechanical
 Operating temperature:-40°C~+105°C
 Soldering temperature:250°C±5/5sec
 Strip length: 8-9mm

HOW TO ORDER



科奕科技有限公司