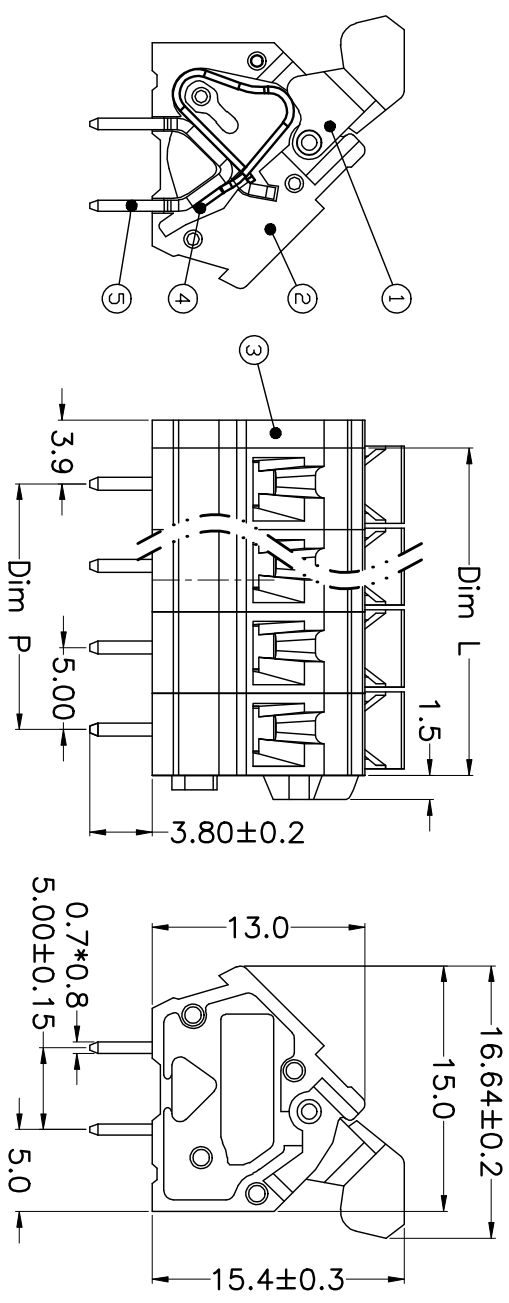
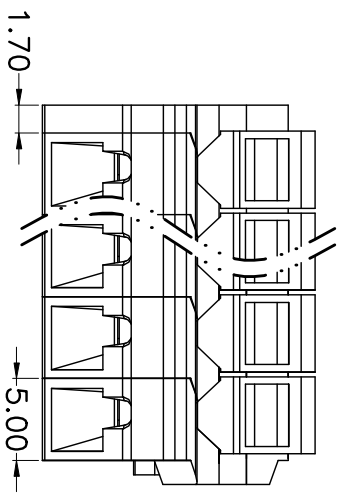
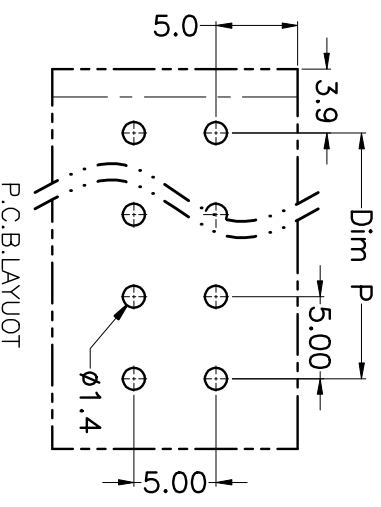


REV.	DESCRIPTION	DATE	DRAWN	APPROVED
A1	DWG.REL	2015.3.12	FANG	YANG



N=Number of Poles
 Dim P=(N-1)*5.00
 Dim L=N*5.00

Poles	Dim P	Dim L
2-6P	±0.10	±0.15
7-12P	±0.20	±0.20
13-18P	±0.25	±0.30
19-24P	±0.30	±0.40



GENERAL TOLERANCE		ANGLE TOLERANCE	
X.	±0.5	X.	±5'
.X	±0.3	.X.	±3'
.XX	±0.1	.XX.	±1'

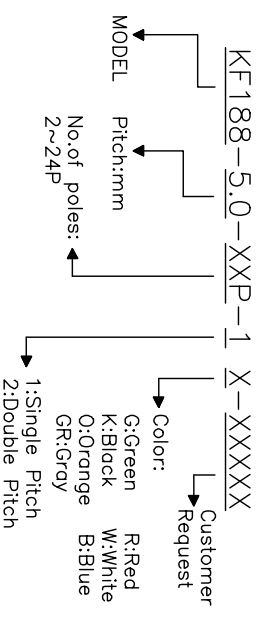
DRAWING TYPE	CUSTOMER
SCALE	SHEET
1:1	1 OF 1

DRAWING NO.

PROJECTION	TITLE
UNITS	KF188-5.0-XXP
SHEET SIZE	A4
SERIES	KF188

- Material
 - ØButton : PA66, UL94V-0
 - ØCover : PA66, UL94V-0
 - ØHousing : PA66, UL94V-0
 - ØReed : Stainless steel
 - ØPin header : Brass, Tin plated
- Electrical
 - UL IEC
 - Rated voltage : 300V 450V
 - Rated current : 15A 17A
 - Insulation resistance: 500MΩ/DC500V
 - Withstanding Voltage : AC2000V/1min
 - Wire range: 28-12AWG 2.5mm²
- Mechanical
 - Operating temperature: -40°C~+105°C
 - Soldering temperature: 250°C±5/5sec
 - Strip length: 5-6mm

HOW TO ORDER



科奕科技有限公司