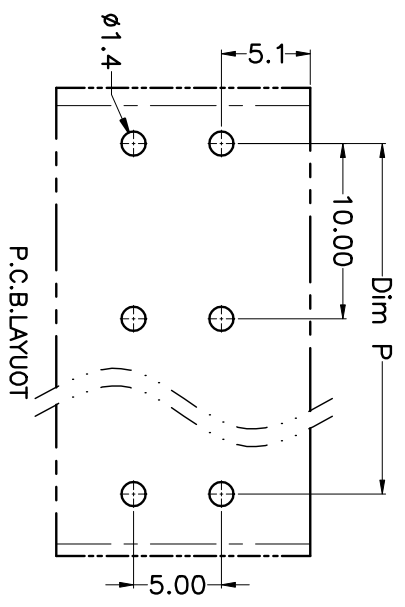
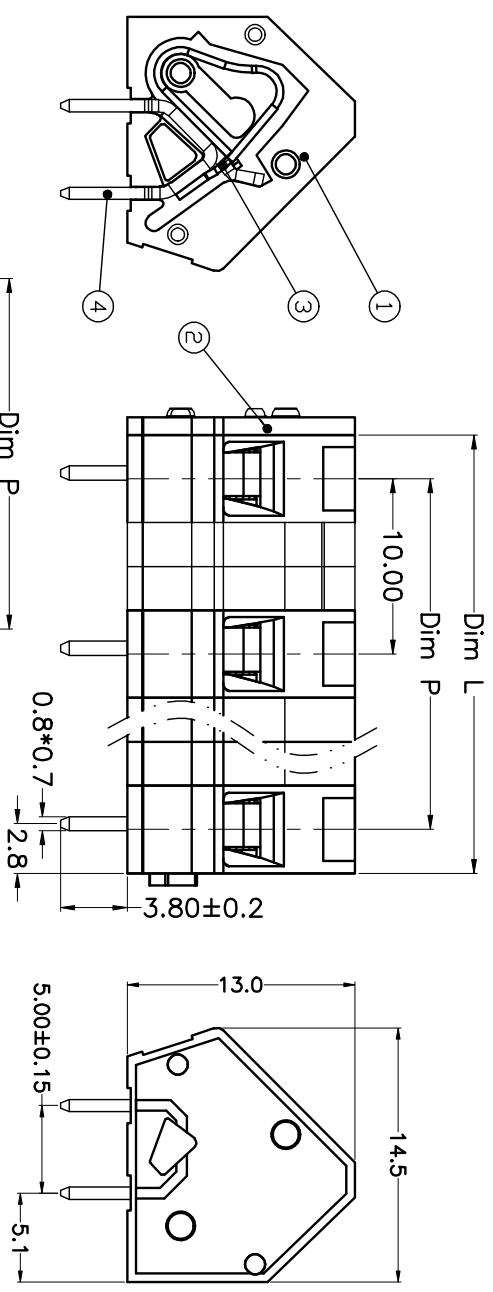
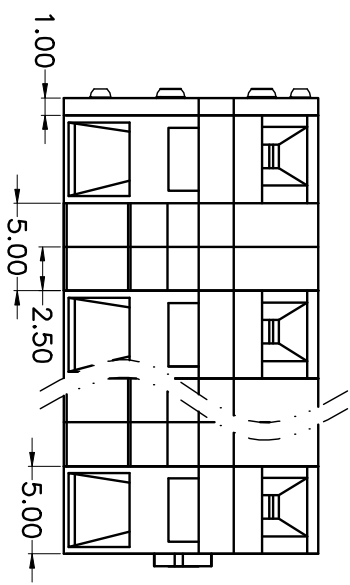


| REV. | DESCRIPTION | DATE      | DRAWN | APPROVED |
|------|-------------|-----------|-------|----------|
| A1   | DWG.REL     | 2015.3.12 | FANG  | YANG     |



N=Number of Poles  
 Dim P=(N-1)X10.00  
 Dim L=Nx10.00-5

| Poles  | Dim. P | Dim. L |
|--------|--------|--------|
| 2-6P   | ±0.10  | ±0.15  |
| 7-12P  | ±0.20  | ±0.20  |
| 13-18P | ±0.25  | ±0.30  |
| 19-24P | ±0.30  | ±0.40  |

GENERAL TOLERANCE ANGLE TOLERANCE

|     |      |      |     |
|-----|------|------|-----|
| X.  | ±0.5 | X.   | ±5' |
| .X  | ±0.3 | .X'  | ±3' |
| .XX | ±0.1 | .XX' | ±1' |

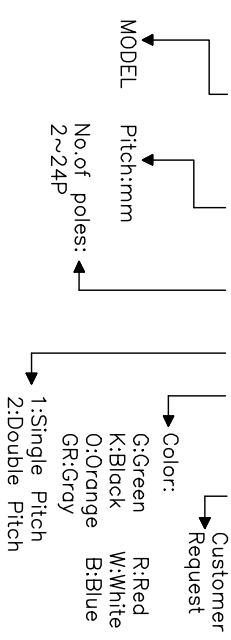
|              |          |       |        |
|--------------|----------|-------|--------|
| DRAWING TYPE | CUSTOMER | SHEET | 1 OF 1 |
| SCALE        | 1:1      | SHEET | 1 OF 1 |
| DRAWING NO.  |          |       |        |

| PROJECTION | TITLE           |
|------------|-----------------|
| UNITS      | KF188A-10.0-XXP |
| SHEET SIZE | A4              |
| SERIES     | KF188A          |

- Material
  - ①Housing : PA66, UL94V-0
  - ②Cover : PA66, UL94V-0
  - ③Reed : Stainless steel
  - ④Pin header : Brass, Tin plated
- Electrical
  - UL IEC
  - Rated voltage : 300V 1000V
  - Rated current : 15A 17A
  - Insulation resistance: 500MΩ/DC500V
  - Withstanding Voltage : AC2000V/1min
  - Wire range: 24-14AWG 2.5mm<sup>2</sup>
- Mechanical
  - Operating temperature: -40°C~+105°C
  - Soldering temperature: 250°C±5/5sec
  - Strip length: 5-6mm

HOW TO ORDER

KF188A-10.0-XXP-1 X-XXXXXX



科奕科技有限公司